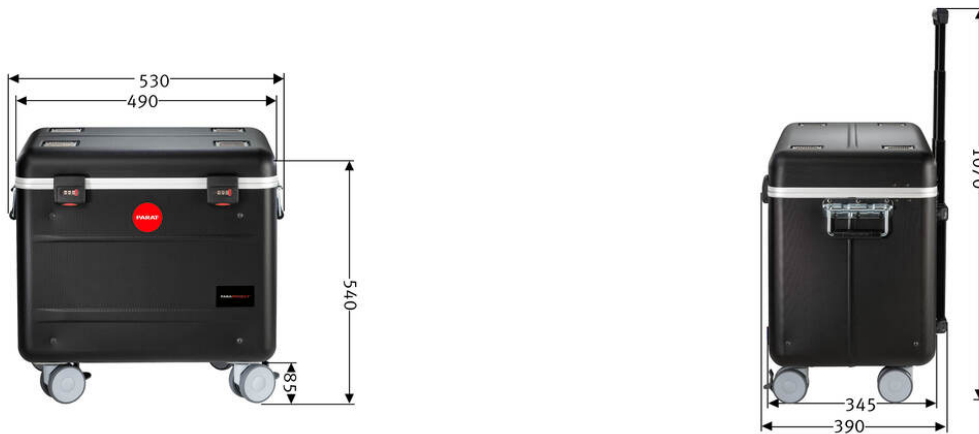


PARAPROJECT®

Case i10

charging , synchronizing , transport , storage , Flex2Connect



Part denomination	PARAPROJECT Case i10 Charge&Sync, incl. USB Lightning® cable, black
Part number	208.618-151
GTIN /EAN	4006793000599
Field of application	Education , Health Care
Certificates	CE / REACH / RoHS
Applicable standards	DE EN 60950-1 / DIN EN 55022 / DIN EN 55035
Scope of delivery	<ul style="list-style-type: none"> - PARAPROJECT® Case i10 - Geräteanschlusskabel, EU, Länge: 5 m - USB-Anschlusskabel, Länge: 3 m - 10 USB-A Daten- und Ladekabel auf Lightning® Connector - Y-Adapter Kabel, C14-Stecker auf 1 IBM-Buchse (C5, 3-polig) und 1 Euro-8-Buchse (C7, 2-polig, AUX 1) - Y-Adapter Kabel, C14-Stecker auf 1 Euroflach-Buchse (2-polig) und 1 Euro-8-Buchse (C7, 2-polig, AUX 2) - Bedienungsanleitung
Materials	<ul style="list-style-type: none"> - aluminium - Con-Pearl® - X-ABS plastic - industrial leather
Transport	4-fold telescopic handle / 2 carrying handles / combination lock / 4 smooth-running castors ø 75 mm (with 2 lockable castors)
External dimensions (WxDxH)	530 mm x 390 mm x 540 mm
Weight	12000 g
Transport dimensions	560 mm x 410 mm x 550 mm
Dimensions of euro-pallets	800 mm x 1200 mm x 1860 mm
Number of euro-pallet	6
customs tariff number	85044083
Country of origin	RO

PARAPROJECT®

Case i10

charging , synchronizing , transport , storage , Flex2Connect

Fittings	<ul style="list-style-type: none"> - Interior technical equipment: - 10 storage compartments (W x D x H: 29 x 210 x 260 mm) for iPad/tablets - storage compartment (W x D x H: 28 x 235 x 320 mm) for master laptop - storage compartment for accessories such as access point, router and/or Apple TV - sync and charging unit - 10 data and charging cable USB-A to Lightning® - internal timer to set charge time limit - temperature sensor - 2 sockets for e.g. master laptop or access point - Case lid: - pocket with zipper, pocket with velcro fastener and push-in compartment with rubber loop - air vents in the lid and bottom tray - External technical equipment: - central power supply with protective cap - USB-B port for sync function - RJ 45 network socket for e.g. access point - 4-fold telescopic handle - 2 carrying handles - combination lock - 4 smooth-running castors ø 75 mm (with 2 lockable castors)
Compatible devices	All iPad from generation 4, as well as mini, except Pro 12.9"
Max. number of devices	10
Operating system	iOS
Cable types for equipment	data and charging cable USB-A to Lightning® ; y-adapter, C14 plug with 1 IBM sockets (C5, 3-pin) and 1 EURO-8-socket (C7, 2-pin, AUX 1) ; y-adapter, C14 plug with 1 Euroflat socket (2-pin) and 1 EURO-8-socket (C7, 2-pin, AUX 2)
Power supply	Bloc d'alimentation central pour l'alimentation électrique de tous les appareils
Output power per port	2,0 A / 10W
Optional accessories	<ul style="list-style-type: none"> - data and charging cable USB-C® to USB-C® - data and charging cable USB-C® to Lightning® - data and charging cable with LED display USB-A to Lightning® - data and charging cable USB-A to USB-C®
Lock types	combination lock
Connections	<ul style="list-style-type: none"> - outside: - central power supply with protective cap - USB-B port for sync function - RJ 45 network socket for e.g. access point - optional: HDMI port - inside: - 10 USB-A ports for Flex2Connect - Y-Adapter Kabel, C14-Stecker auf 1 IBM-Buchse (C5, 3-polig) und 1 Euro-8-Buchse (C7, 2-polig, AUX 1) - Y-Adapter Kabel, C14-Stecker auf 1 Euroflach-Buchse (2-polig) und 1 Euro-8-Buchse (C7, 2-polig, AUX 2)
Data of currents	<ul style="list-style-type: none"> - 100 - 240 V - max. 3,6 A - 50/60 Hz
Dimension of pockets	29 x 210 x 260 mm (+ 50 mm zusätzliche Höhe dank Kofferdeckel)
Dimensions of other pockets	28 x 235 x 320 mm (+ 50 mm zusätzliche Höhe dank Kofferdeckel)
Color	black

product image similar / information without content / subject to errors and changes / all dimensions in mm

PARAPROJECT®

Case i10

charging , synchronizing , transport , storage , Flex2Connect



- central power supply with protective cap
- USB-B terminal for sync
- network connector (RJ45) for access point
- optional HDMI port